

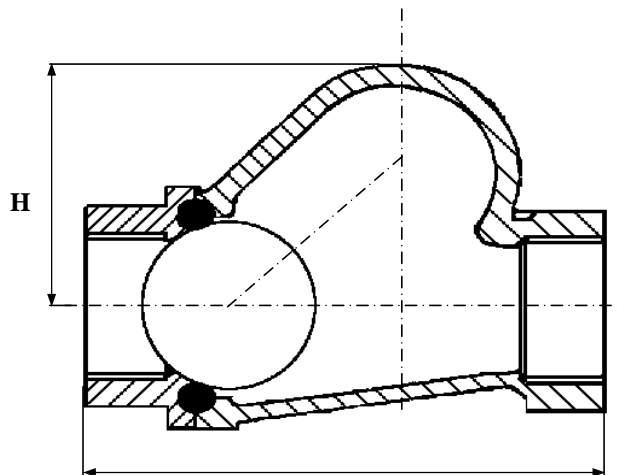
### ELVO-DIRIS® CLAPET A LEVEE VERTICALE

A BOULE

**FONTE**

GAZ  
PN16

|                            |                              |
|----------------------------|------------------------------|
| CORPS /<br>BODY            | FONTE GGG40                  |
| CHAPEAU /<br>BONNET        | FONTE GGG 40                 |
| BOULE /<br>BALL            | ALUMINIUM<br>REJETUE NITRILE |
| JOINT DE CORPS /<br>GASKET | NITRILE                      |



FAF

TEMPERATURE MAXI SERVICE 80°C

PRESSION MAXI DE SERVICE 16B

LE RAPPORT PRESSION/TEMPERATURE  
EST A DEFINIR PAR NOS SOINS

**REF : 230 020**

|              |     |     |     |     |    |       |       |      |       |     |     |     |     |     |     |     |     |     |     |     |
|--------------|-----|-----|-----|-----|----|-------|-------|------|-------|-----|-----|-----|-----|-----|-----|-----|-----|-----|-----|-----|
| <b>D</b>     | 8   | 10  | 15  | 20  | 25 | 32    | 40    | 50   | 65    | 80  | 100 | 125 | 150 | 200 | 250 | 300 | 350 | 400 | 500 | 600 |
| <b>N</b>     | 1/4 | 3/8 | 1/2 | 3/4 | 1  | 1 1/4 | 1 1/2 | 2    | 2 1/2 | 3   | 4   | 5   | 6   | 8   | 10  | 12  | 14  | 16  | 20  | 24  |
| <b>FAF</b>   |     |     |     |     |    | 140   | 145   | 170  | 210   | 240 |     |     |     |     |     |     |     |     |     |     |
| <b>H</b>     |     |     |     |     |    | 62    | 75    | 87   | 105   | 125 |     |     |     |     |     |     |     |     |     |     |
| <b>MASSE</b> |     |     |     |     |    | 2     | 2.50  | 3.50 | 6     | 8   |     |     |     |     |     |     |     |     |     |     |

SOUS RESERVE DE MODIFICATIONS

19 rue Albert Thomas 44600 SAINT NAZAIRE - FRANCE

TEL : 02.51.10.18.18 FAX : 02.51.10.18.19

[www.societe-gmi.com](http://www.societe-gmi.com)

REV .05

PAGE E210