

COMPENSATEUR DE DILATATION

METALLIQUE

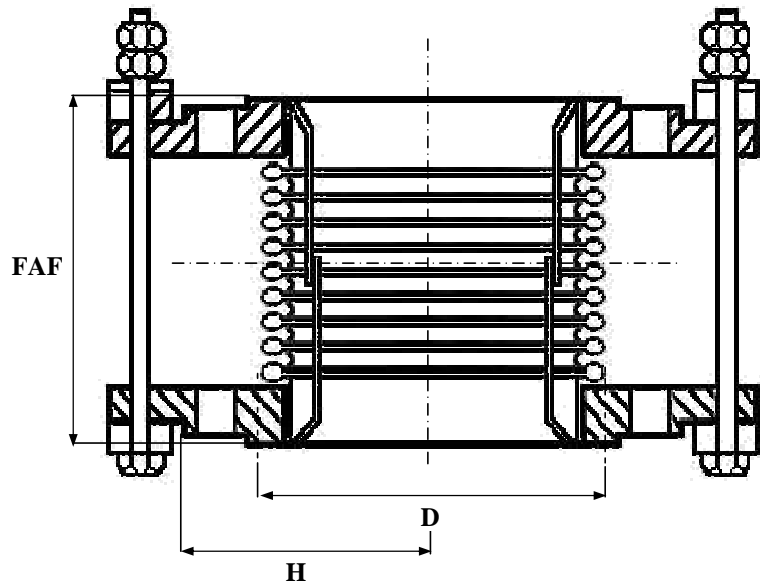
AVEC TIRANTS

INOX

BRIDES

ISO PN16

| | |
|--------------------------------------|------------|
| CORPS / BODY | INOX 304 |
| CHEMISE INTERNE / INNER SLEEVE | INOX 304 |
| BRIDES / FLANGES | ACIER E 24 |
| BOULONS / TIE ROD | ACIER E 24 |



TEMPERATURE MAXI SERVICE 300°C

PRESSION MAXI DE SERVICE 16B

LE RAPPORT PRESSION/TEMPERATURE
EST A DEFINIR PAR NOS SOINS

REF : 290 162

OPTION :

BRIDES INOX 304 REF 290 163

SOUS RESERVE DE MODIFICATIONS

| D | 10 | 15 | 20 | 25 | 32 | 40 | 50 | 65 | 80 | 100 | 125 | 150 | 200 | 250 | 300 | 350 | 400 | 450 | 500 | 600 | | |
|-------------|-----|-----|-----|----|-------|-------|------|-------|------|------|-----|------|------|-----|-----|-----|-----|-----|-----|-----|--|--|
| N | 3/8 | 1/2 | 3/4 | 1 | 1 1/4 | 1 1/2 | 2 | 2 1/2 | 3 | 4 | 5 | 6 | 8 | 10 | 12 | 14 | 16 | 18 | 20 | 24 | | |
| FAF | | | | | | | 150 | 150 | 150 | 150 | 150 | 150 | 200 | 200 | 200 | | | | | | | |
| FAF Minimum | | | | | | | 160 | 160 | 160 | 160 | 160 | 158 | 208 | 208 | 208 | | | | | | | |
| FAF Maximum | | | | | | | 130 | 130 | 130 | 130 | 130 | 125 | 170 | 165 | 165 | | | | | | | |
| H | | | | | | | 83 | 92 | 100 | 110 | 125 | 145 | 170 | 202 | 230 | | | | | | | |
| D | | | | | | | 70 | 86 | 101 | 128 | 156 | 183 | 234 | 284 | 341 | | | | | | | |
| MASSE | | | | | | | 6.50 | 8 | 8.80 | 9.80 | 14 | 17.5 | 23.5 | 33 | 38 | | | | | | | |

19 rue Albert Thomas 44600 SAINT NAZAIRE - FRANCE

TEL : 02.51.10.18.18 FAX : 02.51.10.18.19

www.societe-gmi.com

REV .05

PAGE F250