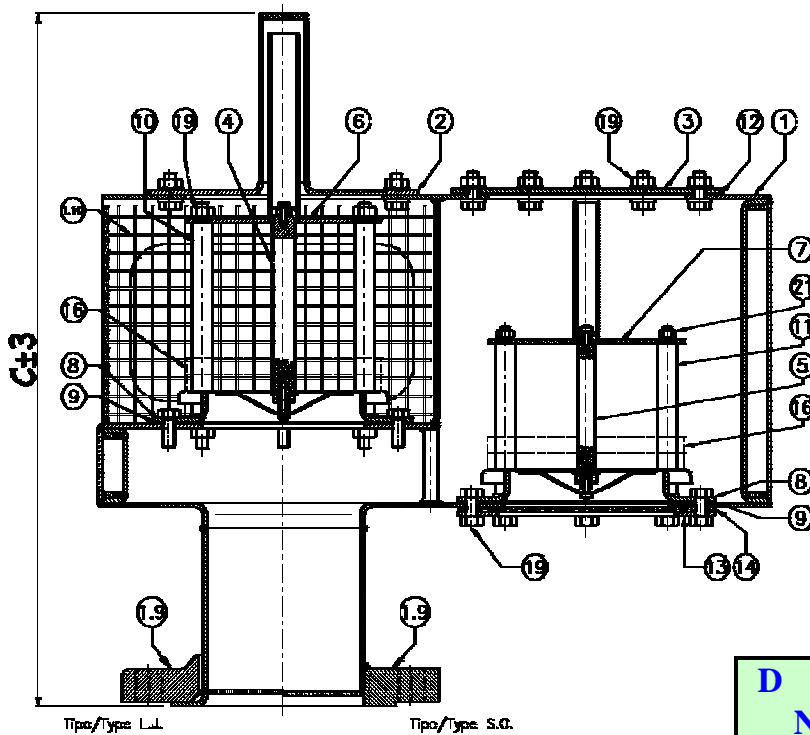


RESPI-SPIRALIS® SOUPAPE PRESSION / DEPRESSION

INOX 316
ECHAPPEMENT LIBRE
ATEX II 2 G 2B



REF : 251 454
GRILLE DE DEBIT PAGE X210

D	50	80	100	150	200	250	300
N	2	3	4	6	8	10	12
A	345	476	476	716	716	988	988
B	208	248	248	396	396	448	448
C	365	465	465	625	625	915	915
MASSE	14	20	22	50	55	89	99

N°	DESIGNATION - DESCRIPTION	MATIERES - MATERIALS
1	CORPS - BODY VALVE	AISI 316L
1.9	BRIDE OU CLAMP ISO - FLANGE	AISI 316L
1.10	GRILLE PRESSION - PRESSURE SCREEN	AISI 316L
2	COUVERCLE PRESSION - PRESSURE SIDE COVER	AISI 316L
3	COUVERCLE DEPRESSION - VACUUM SIDE COVER	AISI 316L
4	CLAPET PRESSION - PRESSURE SIDE CAP	AISI 316 + P.T.F.E.+ F.E.P.
5	CLAPET DEPRESSION - VACUUM SIDE CAP	AISI 316 + P.T.F.E.+ F.E.P.
6	CROISILLON PRESSION - PRESSURE SIDE CROSS	AISI 316
7	CROISILLON DEPRESSION - VACUUM SIDE CROSS	AISI 316
8	SIEGE - SEAT	AISI 316
9	JOINT DE SIEGE - SEAT GASKET	GRAPHITE EXPANSE - EXPANDED GRAPHITE
10	GUIDE CLAPET PRESSION - PRESSURE SIDE CAP GUIDE	AISI 316
11	GUIDE CLAPET DEPRESSION - VACUUM SIDE CAP GUIDE	AISI 316
12	JOINT DE COUVERCLE - VACUUM COVER GASKET	GRAPHITE EXPANSE - EXPANDED GRAPHITE
13	ANNEAU DE GRILLE - SCREEN RETAINER	AISI 316
14	GRILLE DEPRESSION - VACUUM SCREEN	AISI 316L
16	POIDS DE TARAGE - LOADING WEIGHT	AISI 316
19	ECROU M8 - NUT	AISI 316
20	ECROU - NUT	AISI 316
21	ECROU - NUT	AISI 316

SOUS RESERVE DE MODIFICATIONS