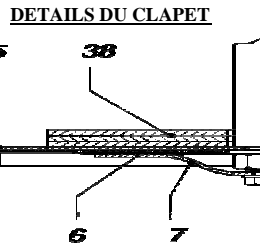
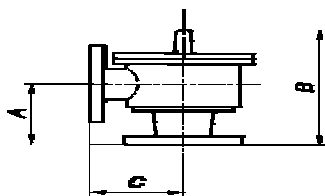
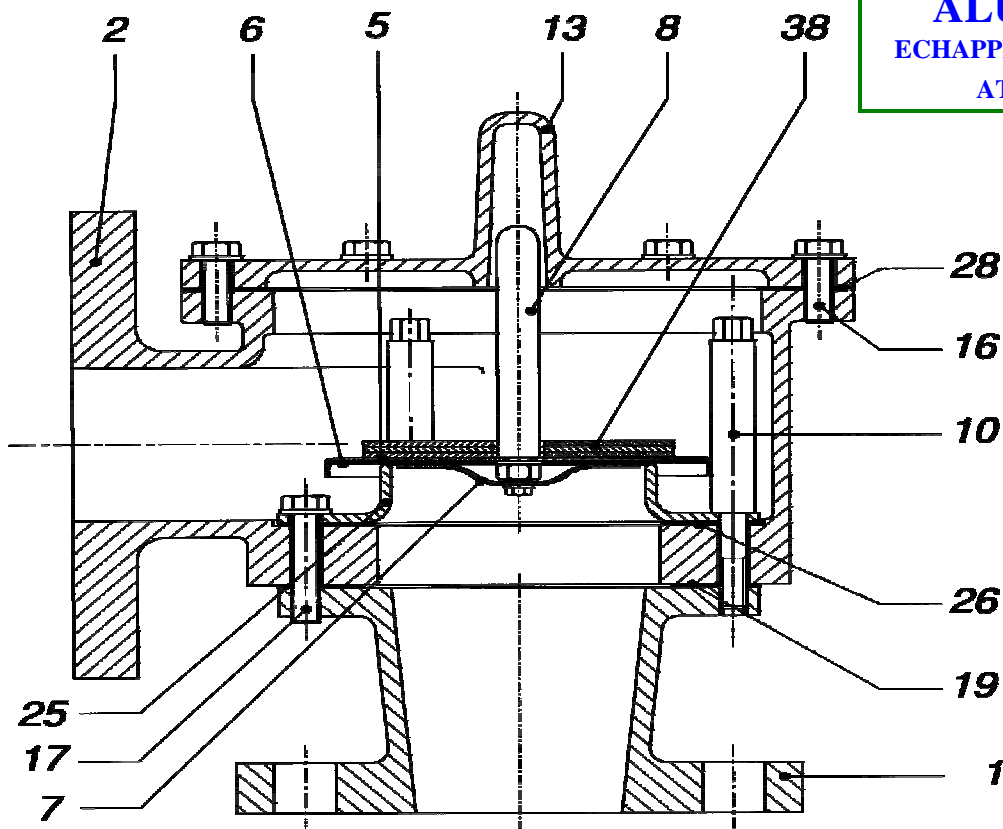


RESPI-SPIRALIS® SOUPAPE PRESSION

ALUMINIUM
ECHAPPEMENT CANALISE
ATEX II 2 G 2B



D	50	80	100	150	200	250	300
N	2	3	4	6	8	10	12
A	137	155	180	225	278	333	404
B	250	307	365	465	562	689	792
C	130	145	160	220	250	290	320
MASSE							

REF : 251 093
GRILLE DE DEBIT PAGE X230

SOUS RESERVE DE MODIFICATIONS

N°	DESIGNATION - DESCRIPTION	MATIERES - MATERIALS	N°	DESIGNATION - DESCRIPTION	MATIERES - MATERIALS
1	CORPS - BODY	ALUMINIUM	16	VIS - SCREW	AISI 304
2	BRIDE SORTIE - PRESSURE HOOD	ALUMINIUM	17	VIS - SCREW	AISI 304
5	CLAPET - PALLET	AISI 316	19	JOINT - GASKET	FLEXOID
6	MEMBRANES - DIAPHRAGM	PTFE / FEP ou VITON	25	SIEGE - PRESSURE SEAT	AISI 316L
7	DEFLECTEUR - DEFLECTOR	AISI 316	26	JOINT - GASKET	FLEXOID
8	TIGE GUIDAGE - PRESSURE STEM	ALUMINIUM	28	JOINT - GASKET	FLEXOID
10	GUIDAGE - PRESSURE GUIDE	AISI 304	38	TARAGE - LOADING WEIGHTS	AISI 304
13	CAPOT - PRESSURE HOOD	ALUMINIUM			