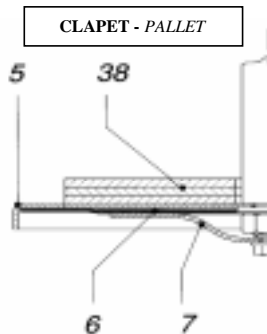
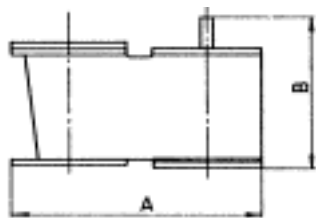
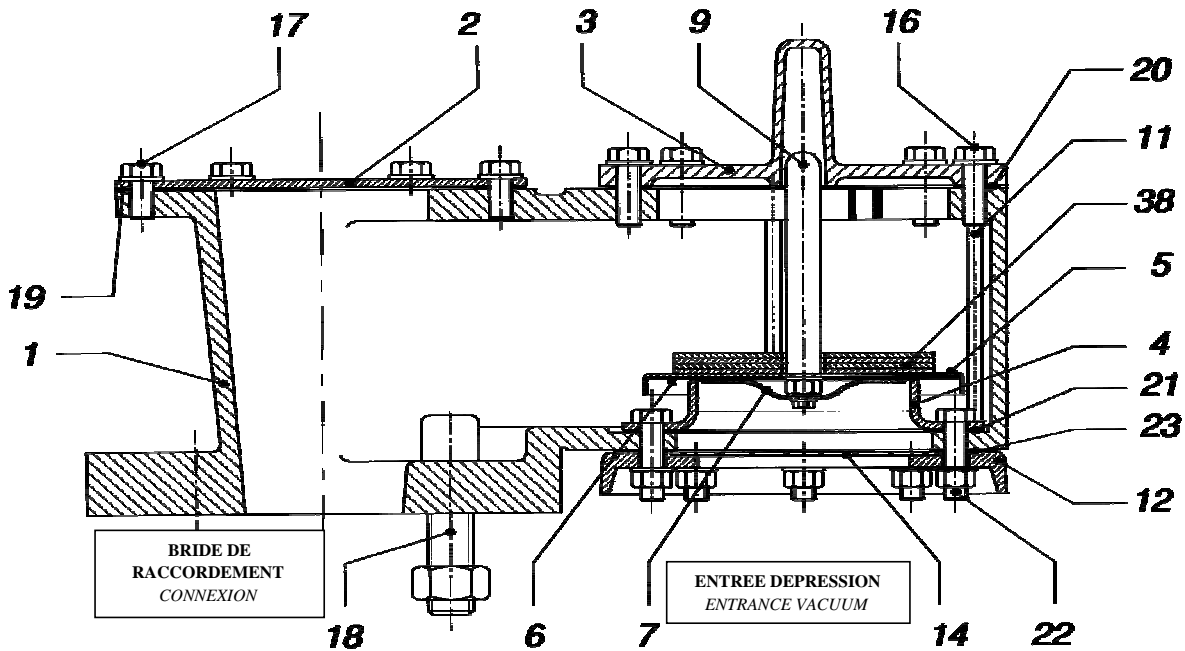


RESPI-SPIRALIS® SOUPAPE DEPRESSION

ALUMINIUM
ECHAPPEMENT LIBRE
ATEX II 2 G 2B



D	50	80	100	150	200	250	300
N	2	3	4	6	8	10	12
A	315	370	425	550	670	790	920
B	180	215	245	295	360	440	510
MASSE							

REF : 251 056

GRILLE DE DEBIT PAGE X220

N°	DESIGNATION - DESCRIPTION	MATIERES - MATERIALS	N°	DESIGNATION - DESCRIPTION	MATIERES - MATERIALS
1	CORPS - BODY	ALUMINIUM	14	ECRAN - VACUUM SCREEN	AIISI 304
2	COUVERCLE - COVER	ALUMINIUM	16	VIS - SCREW	AIISI 304
3	CAPOT - VACUUM COVER	ALUMINIUM	17	VIS - SCREW	AIISI 304
4	SIEGE - VACUUM SEAT	AIISI 316L	18	GOUJON - STUD BOLT	AIISI 304
5	CLAPET - PALLET	AIISI 316L	19	JOINT - GASKET	FLEXOID
6	MEMBRANES - DIAPHRAGM	PTFE / FEP	20	JOINT - GASKET	FLEXOID
7	DEFLECTEUR - DEFLECTOR	AIISI 316	21	JOINT - GASKET	FLEXOID
9	TIGE GUIDAGE - VACUUM STEM	ALUMINIUM	22	BOULON - SCREW	AIISI 304
11	GUIDAGE - VACUUM GUIDE	AIISI 304	38	TARAGE - LOADING WEIGHTS	AIISI 304
12	GOUTTE D'EAU - WATER DRIP	ALUMINIUM			

SOUS RESERVE DE MODIFICATIONS